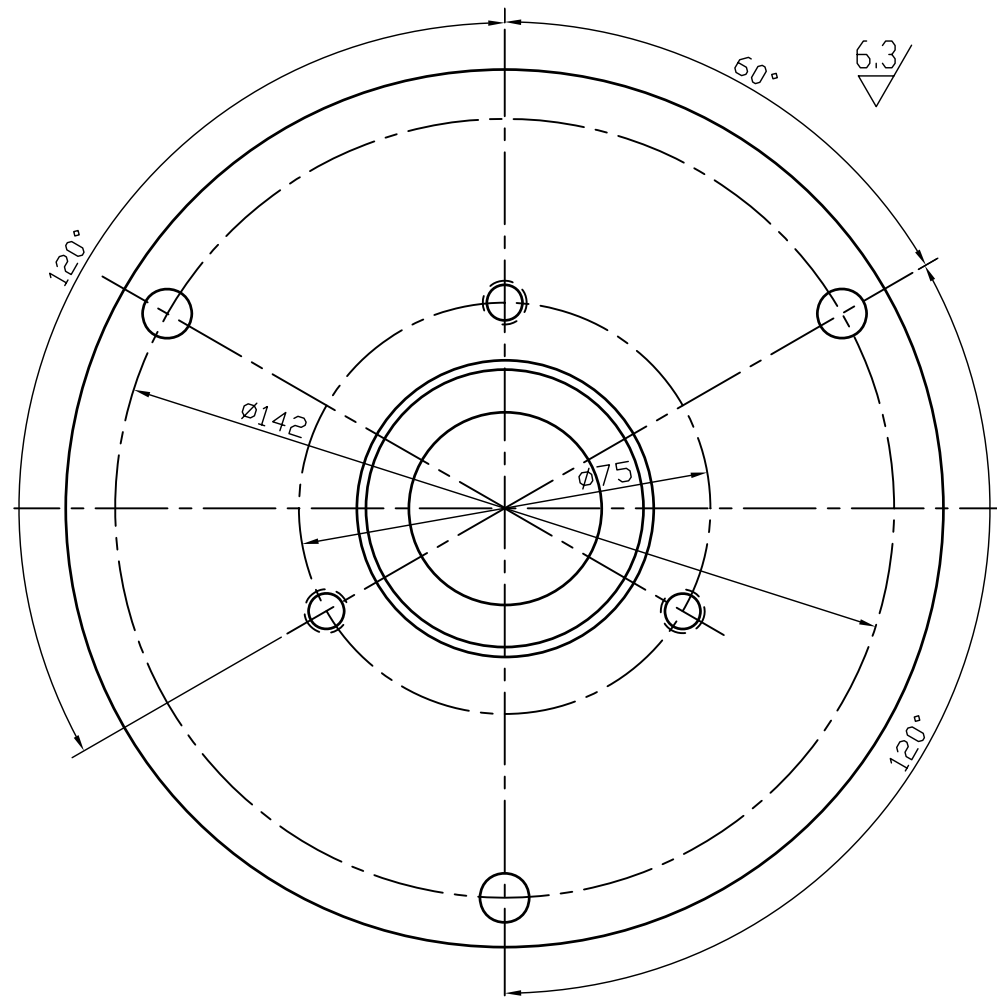
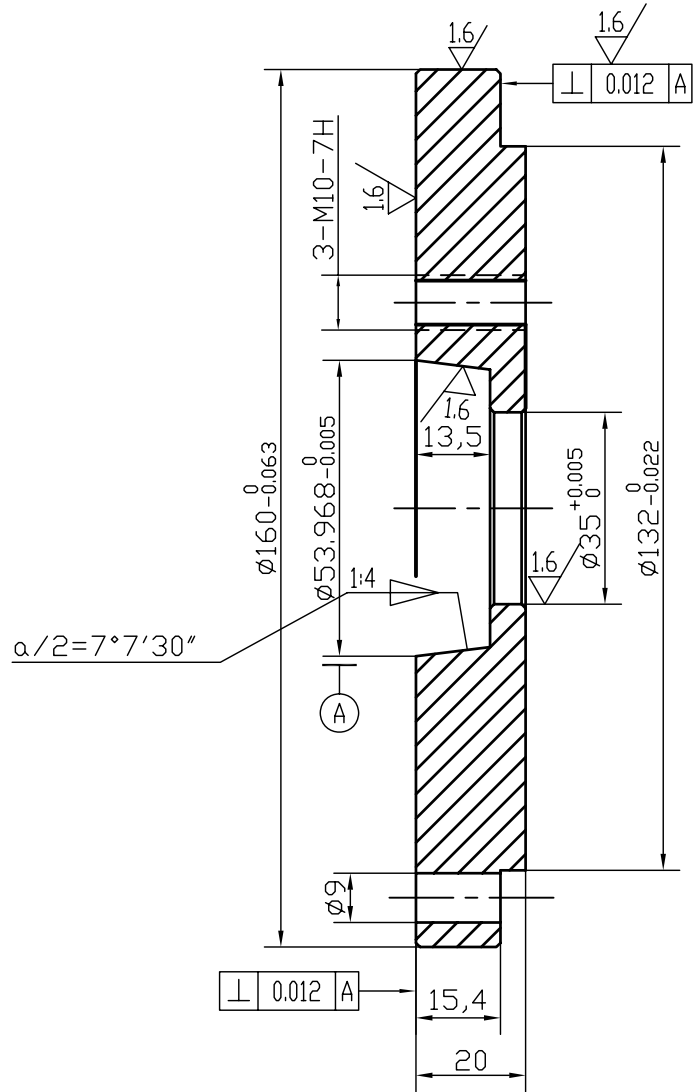


1 2 3 4 5 6 7 8



				Designed by	Verif. by	Approval date	Filename	Date	
								03/11/2004	
				OPTIMUM MASCHINEN - GERMANY Dr.-Robert-Pfleger-Str. 26 D-96103 Hallstadt			jaw chuck flange 160mm		
							3441413	Edition	Sheet
Ind.	Modification	Day	Name				1	1 of 1	